



2.5 litre Can

CC Series

Product Specifications

Container

Product Code:	CC250-1
Description:	2.5 Litre Round Coating Can
Brimful Volume:	2.90 Litres
ISO Volume:	2.70 Litres
Tamper Evident:	No

Material



Tub:	Polypropylene
Lid:	Polypropylene
Handle:	Polypropylene

Weight

Tub:	119 grams
Lid:	40 grams
Handle:	7 grams

Performance

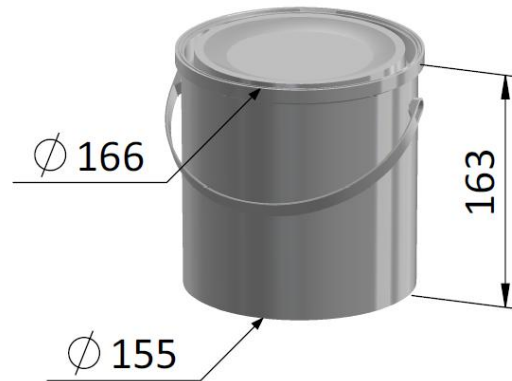
Storage Temperature:	0°C - 40°C*
Shelf Life:	Minimum 12 months
Static Load on bottom Pail:	Maximum 20 kg at 20°C
Suitable for Hot Filling:	Yes* (Above 70°C See note)
Suitable for Tinting:	No

Compatibility

Some chemicals, and process parameters, can affect the integrity of the container. The buyer must undertake testing and approval for the container's suitability for the product and application.

Regulatory

Raw materials used are REACH compliant, approved for food contact and meet FDA regulations.

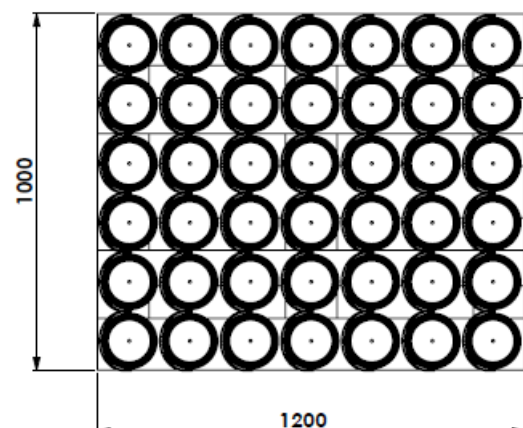


Decoration

Tub IML:	Yes
Lid IML:	No
Colours:	White, others on request

Palletisation

Lid Pallet Quantity:	2248
Bucket Pallet Quantity(Empty):	294
Units per layer:	42
Bucket Pallet Quantity (Filled):	294



Standard tolerance of ±5%

*Special blends and additives available for non standard conditions.

Specifications can be modified without notice; please contact your OnePlastics representative to ensure you have the most recent information.